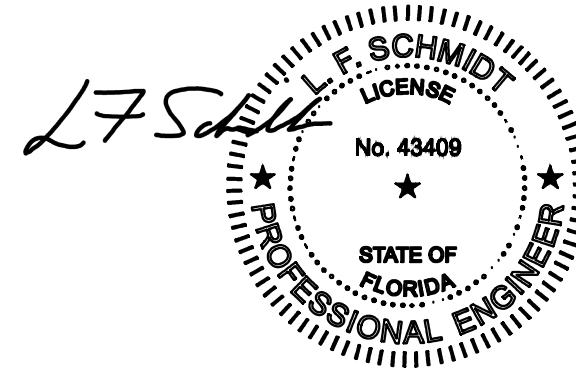


THERMA-TRU[®] DOORS

Fiber-Classic[®] & Smooth-Star[®]



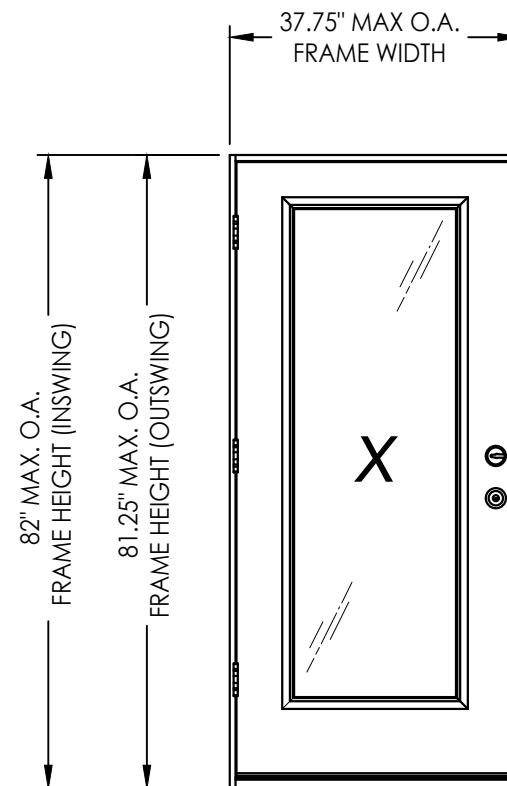
This item has been digitally signed and sealed by L. F. Schmidt, P.E. on the date adjacent to the seal. Printed copies of this document are not considered signed and sealed and the signature must be verified on any electronic copies.

THIS PRODUCT APPROVAL IS VALID ONLY FOR THE STATE OF FLORIDA

GLAZED MOLDED OPEN WOOD EDGE FIBERGLASS SINGLE DOOR INSWING/OUTSWING "IMPACT"

GENERAL NOTES

1. This product has been evaluated and is in compliance with the 8th Edition (2023) Florida Building Code (FBC) structural requirements excluding the "High Velocity Hurricane Zone" (HVHZ).
2. Product anchors shall be as listed and spaced as shown on details. Anchor embedment to base material shall be beyond wall dressing or stucco.
3. When used in areas requiring wind borne debris protection this product complies with FBC Sections 1609.1.2 & R301.2.1.2 and does not require an impact resistant covering. This product meets missile level "D" and excludes Wind Zone 4 as defined in ASTM E1996 and FBC Sections 1609.1.2.2 & R301.2.1.2.1.
4. For 2x stud framing construction, anchoring of these units shall be the same as that shown for 2x buck masonry construction.
5. Site conditions that deviate from the details of this drawing require further engineering analysis by a licensed engineer or registered architect.
6. Fiber-Classic & Smooth-Star Door panel require the use of "J" part numbers and must be stained or painted within six months of installation.



CONFIGURATION	LOCK TYPE	DESIGN PRESSURE (PSF) INSWING		DESIGN PRESSURE (PSF) OUTSWING	
		POSITIVE	NEGATIVE	POSITIVE	NEGATIVE
X	LATCH & DEADBOLT	+60.0	-65.0	+60.0	-60.0
	MULTIPOINT LOCK	+50.0	-50.0	+50.0	-50.0

TABLE OF CONTENTS	
SHEET #	DESCRIPTION
1	Typical Elevations, Design Pressures & General Notes
2	Door Panel Details
3	Elevations
4	Horizontal & Vertical Cross Sections (2X Buck)
5	Horizontal & Vertical Cross Sections (1X Buck)
6	Horizontal & Vertical Cross Sections (Direct to Masonry)
7	Vertical Cross Sections (Thresholds)
8	Buck & Frame Anchoring
9	Hardware Details
10	Lite Frame & Glazing Details
11	Components
12	Bill of Materials

Documents Prepared By:
Lyndon F. Schmidt
P.E. No. 43409

RW BUILDING CONSULTANTS, INC.
P.O. Box 230, Valrico, FL 33595
Phone No.: 813.659.9197
FBPE Registry No. 9813

PRODUCT: THERMA-TRU FIBERGLASS DOOR

PART OR ASSEMBLY: TYPICAL ELEVATION, DESIGN PRESSURES & GENERAL NOTES

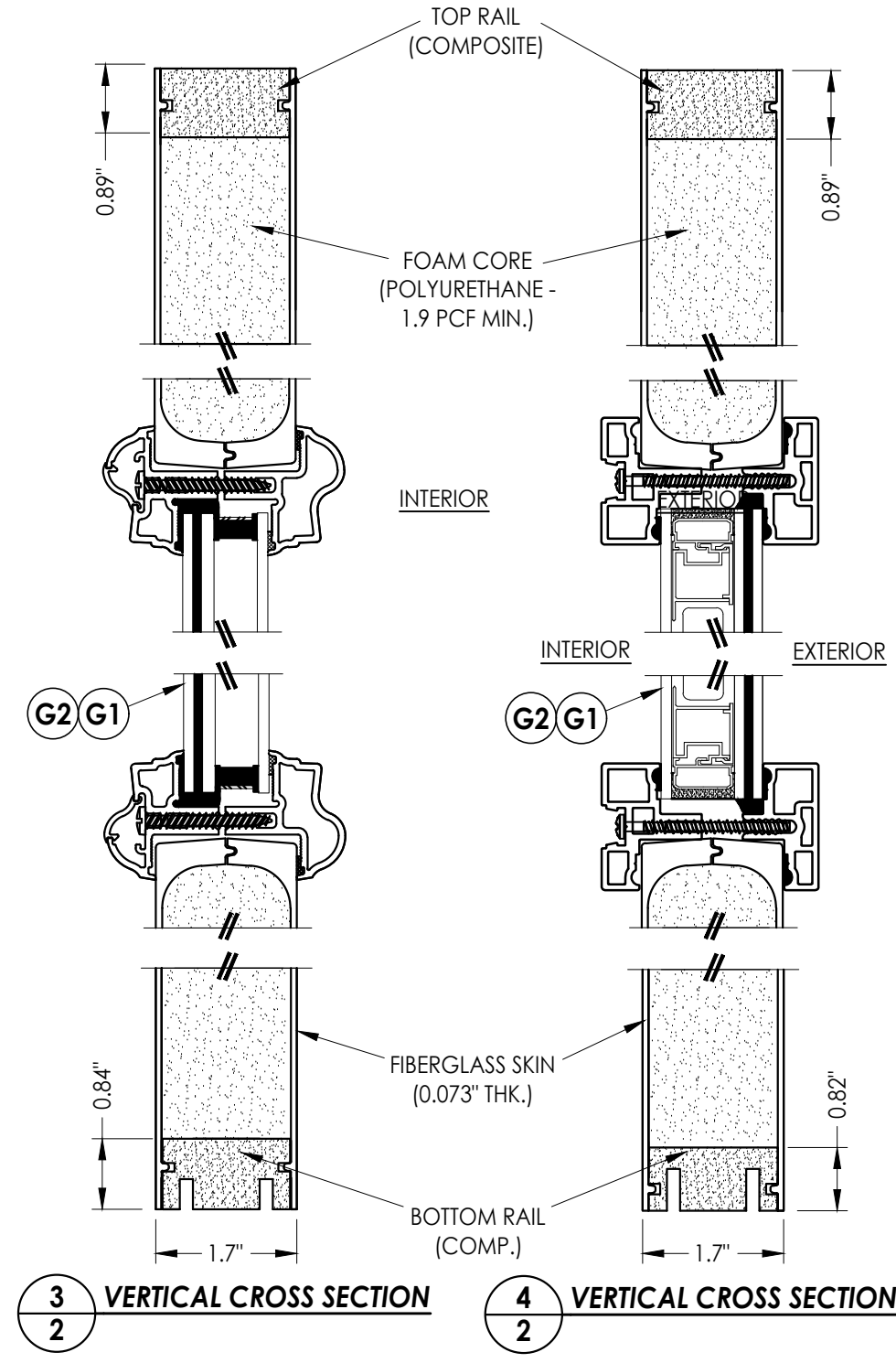
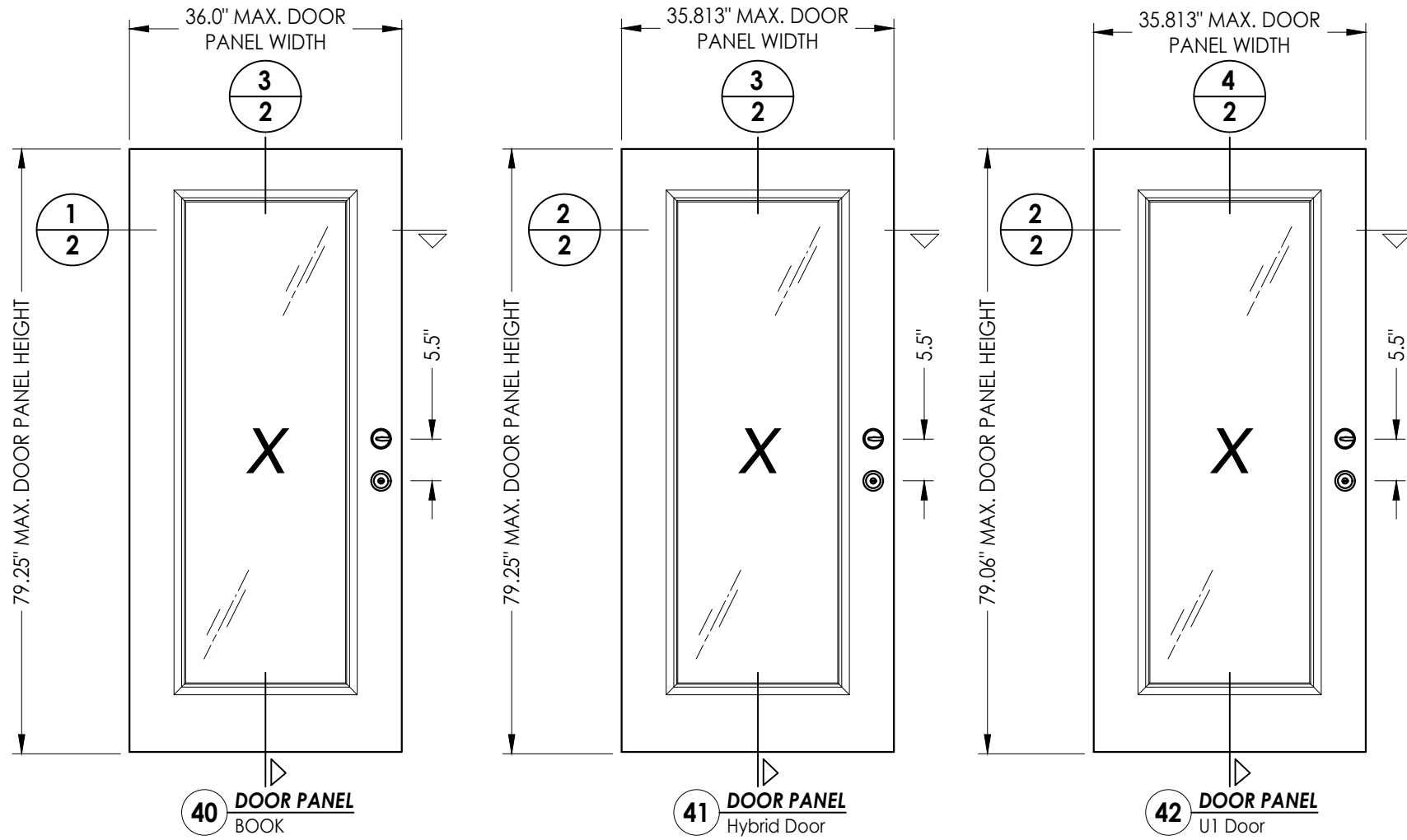
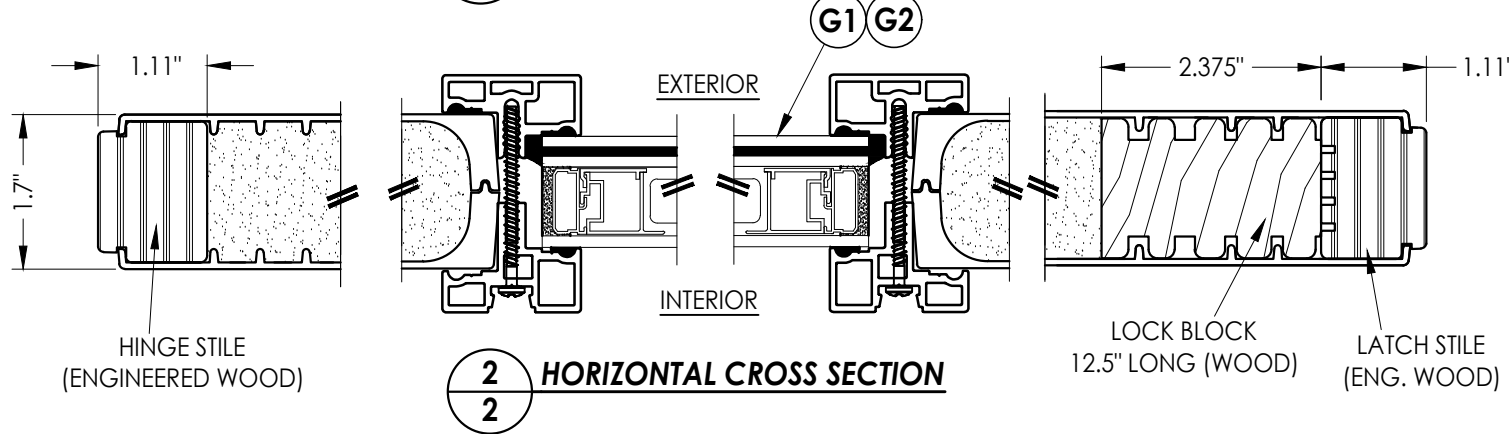
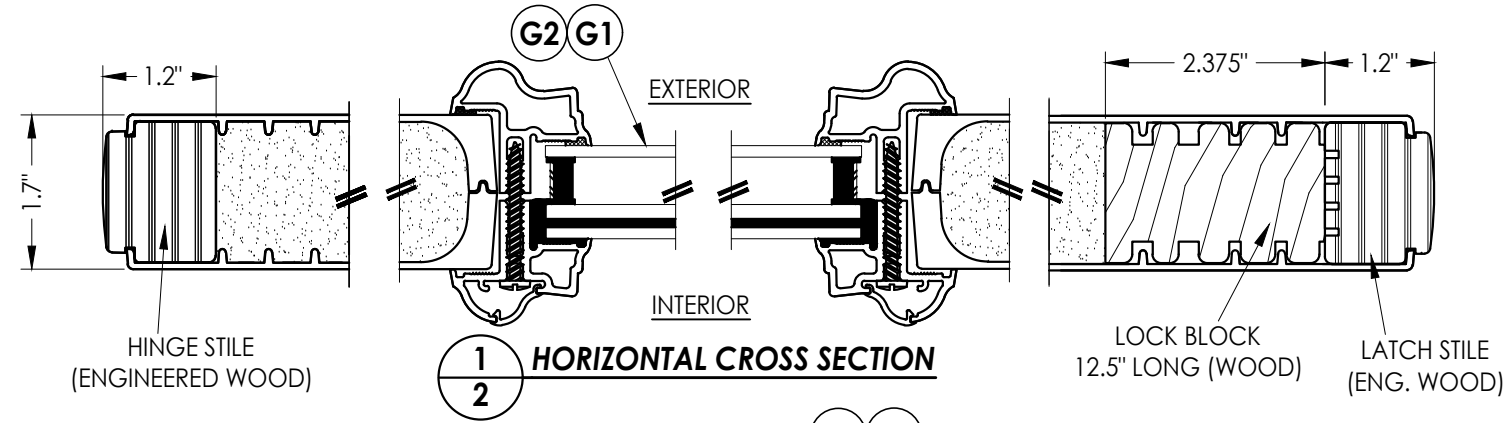
NO.	DATE	BY	REVISIONS
1	8/22/23	LFS	UPDATE TO 8TH ED. (2023) FBC

DATE: 4/13/21
SCALE: N.T.S.
DWG. BY: RW
CHK. BY: LFS
DRAWING NO.: FL-21138.19
SHEET 1 OF 12

© 2021 R.W. BUILDING CONSULTANTS INC.

Z:\2023 FBC Drawings\Therma-Tru\FL-21138 R7\FL-21138.19-21.dwg

Z:\2023 FBC Drawings\Therma-Tru\FL-21138 R7\FL-21138.19-21.dwg



Documents Prepared By:
Lyndon F. Schmidt
P.E. No. 43409

RW BUILDING CONSULTANTS, INC.
P.O. Box 230, Valrico, FL 33595
Phone No.: 813.659.9197
FBPE Registry No. 9813

PRODUCT: THERMA-TRU FIBERGLASS DOOR

PART OR ASSEMBLY: DOOR PANEL DETAILS

NO.	DATE	BY
1	8/22/23	LFS
UPDATE TO 8TH ED. (2023) FBC		

DATE: 4/13/21

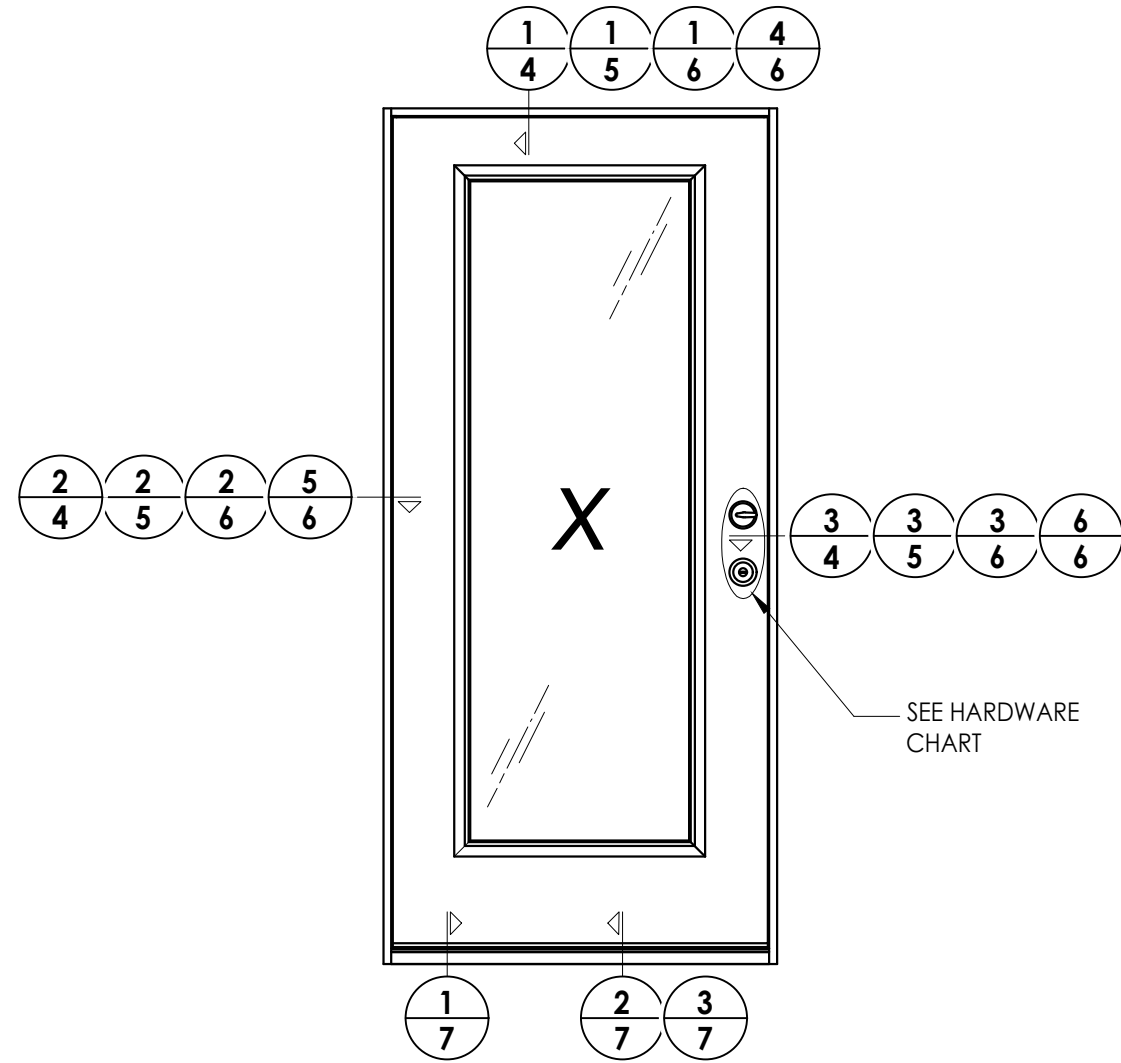
SCALE: N.T.S.

DWG. BY: RW

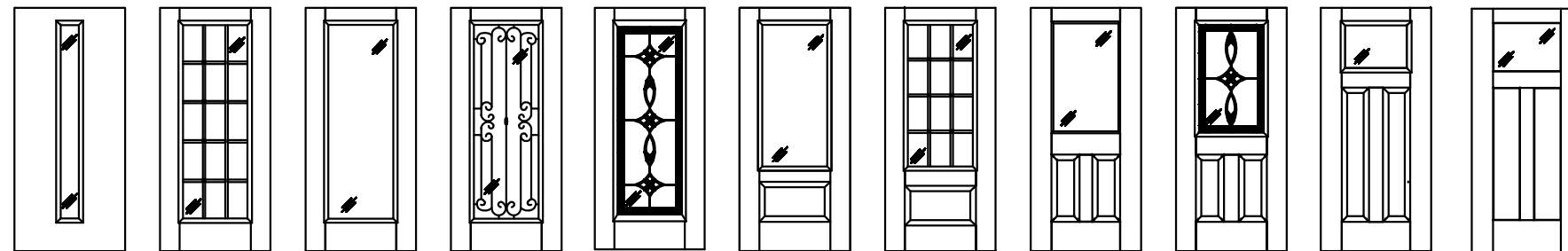
CHK. BY: LFS

DRAWING NO.: FL-21138.19

SHEET 2 OF 12



HARDWARE TABLE	
MANUFACTURER	MODEL
SCHLAGE	KNOB: F51 DEADBOLT: B60
KWIKSET	KNOB: SIGNATURE SERIES DEADBOLT: SIGNATURE SERIES (980)
HOPPE (THERMA-TRU)	MULTIPOINT : MPDGART (3 pt. Manual Tongue)

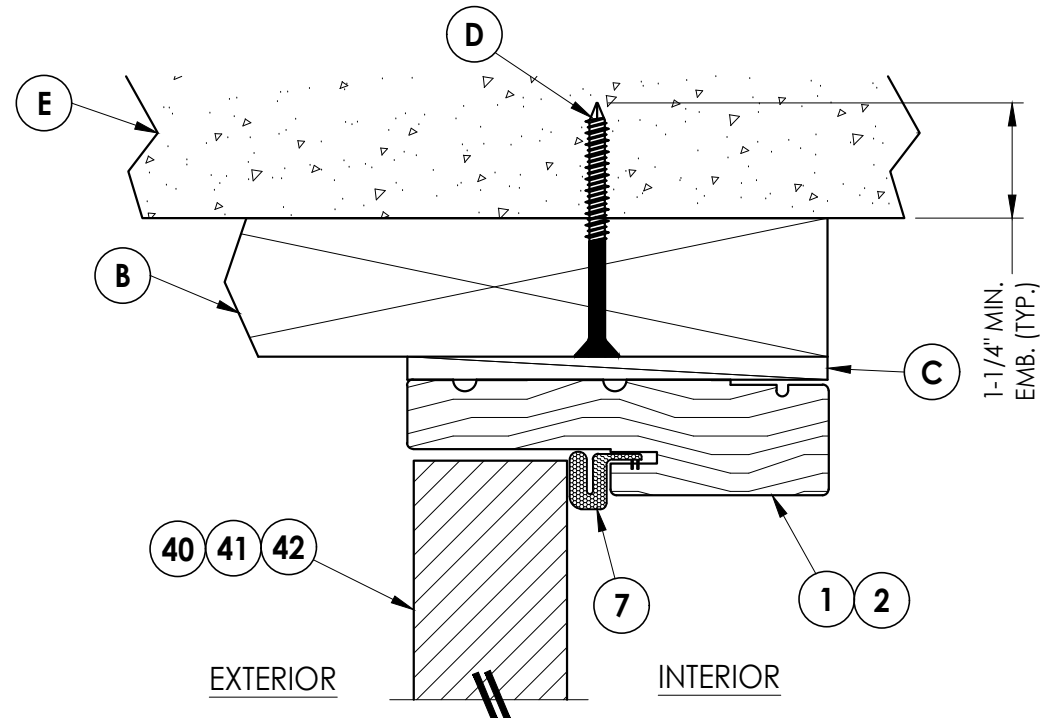


Fiber-Classic/Smooth-Star Door Panel Options

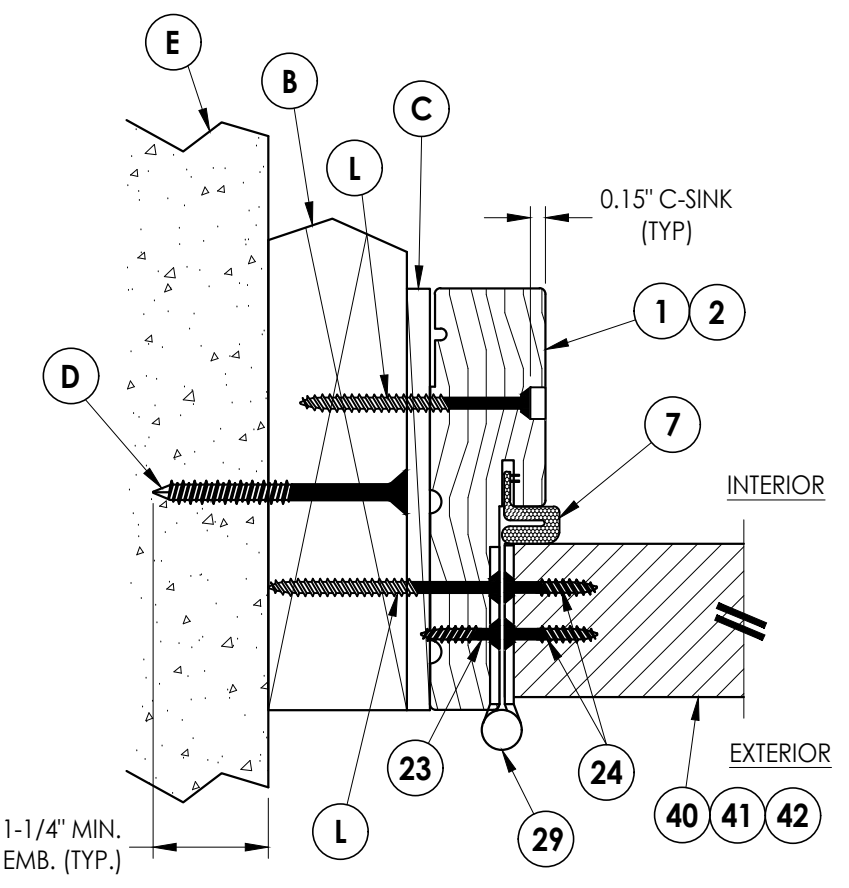
Products approved include all embossed and recessed panel doors.
 Similar glazed panel configurations are allowed.
 Panels shown are for illustration and are representative only.

Documents Prepared By: Lyndon F. Schmidt P.E. No. 43409		R.W. BUILDING CONSULTANTS, INC. P.O. Box 230, Valrico, FL 33595 Phone No.: 813.659.9197 FBPE Registry No. 9813	
PRODUCT: THERMA-TRU FIBERGLASS DOOR		PART OR ASSEMBLY: ELEVATIONS	
DATE: 4/13/21		REVISIONS	
SCALE: N.T.S.		NO. DATE	
DWG. BY: RW		1 8/22/23 UPDATE TO 8TH ED. (2023) FBC	
CHK. BY: LFS		LFS BY	
DRAWING NO.: FL-21138.19		DATE	
SHEET 3 OF 12		DATE	

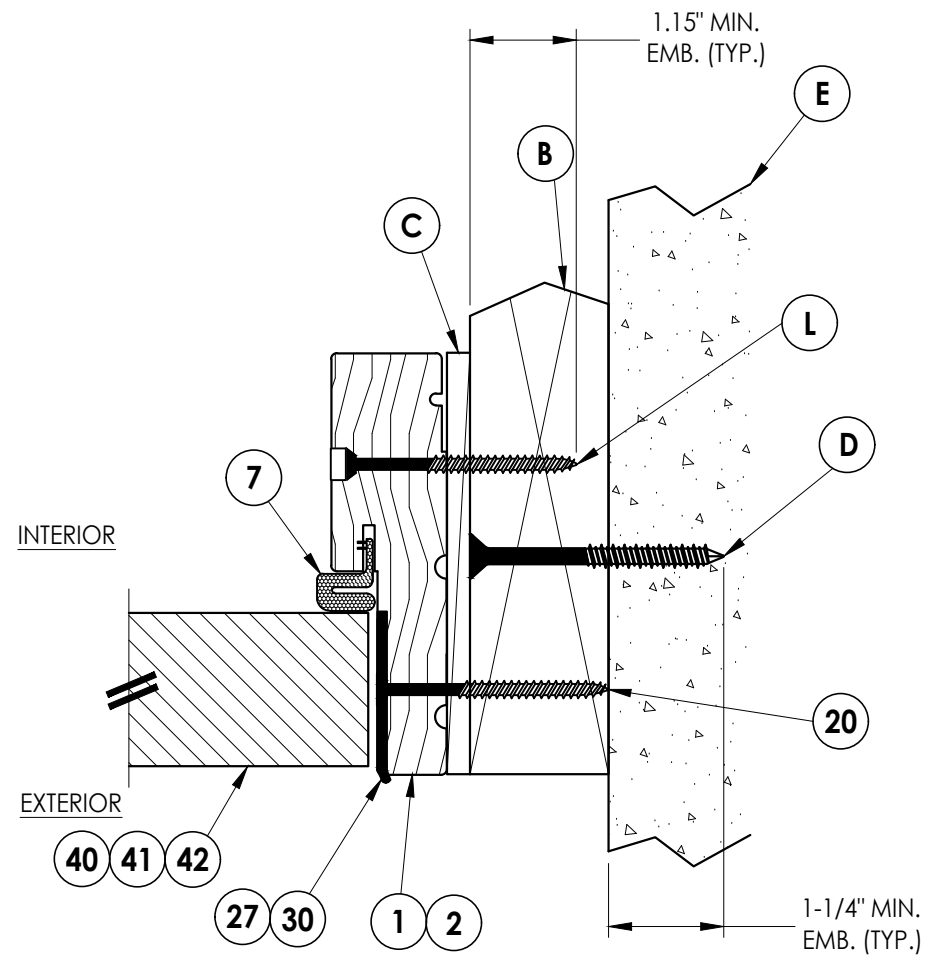
Z:\2023 FBC Drawings\Therma-Tru\FL-21138 R7\FL-21138.19-21.dwg



1 VERTICAL CROSS SECTION
4 Shown w/ 2X Buck
 Outswing shown (Inswing similar)



2 HORIZONTAL CROSS SECTION
4 Shown w/ 2X Buck
 Outswing shown (Inswing similar)



3 HORIZONTAL CROSS SECTION
4 Shown w/ 2X Buck
 Outswing shown (Inswing similar)

Documents Prepared By:
 Lyndon F. Schmidt
 P.E. No. 43409

RW BUILDING CONSULTANTS, INC.
 P.O. Box 230, Valrico, FL 33595
 Phone No.: 813.659.9197
 FBPE Registry No. 9813

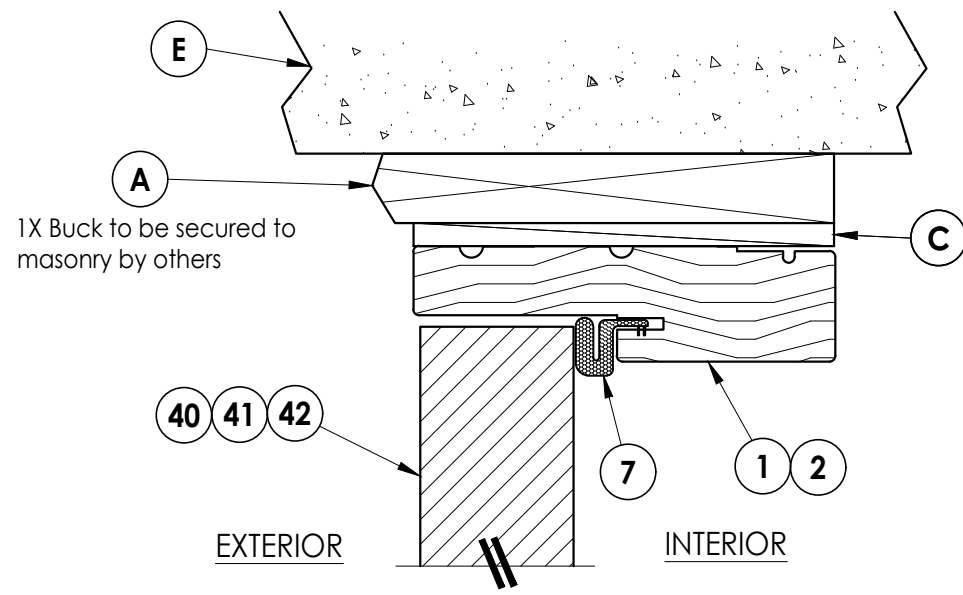
PRODUCT:
 THERMA-TRU
 FIBERGLASS DOOR

PART OR ASSEMBLY:
 HORIZONTAL & VERTICAL
 CROSS SECTIONS (2X BUCK)

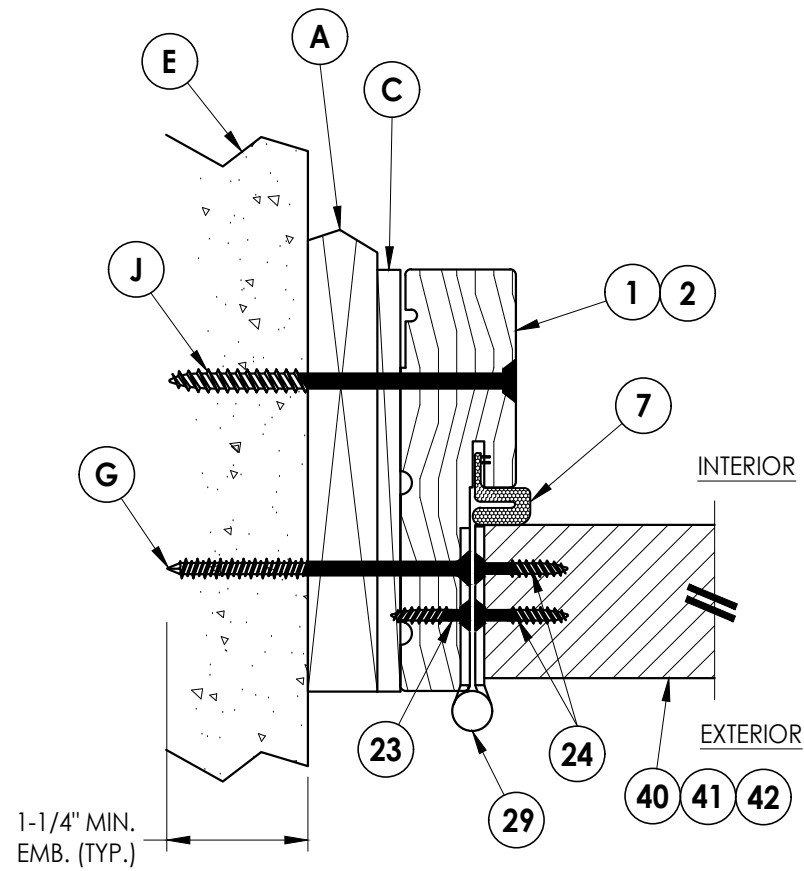
NO.	DATE	REVISIONS	LFS	BY
1	8/22/23	UPDATE TO 8TH ED. (2023)	FBC	

DATE: 4/13/21
 SCALE: N.T.S.
 DWG. BY: RW
 CHK. BY: LFS
 DRAWING NO.: FL-21138.19
 SHEET 4 OF 12

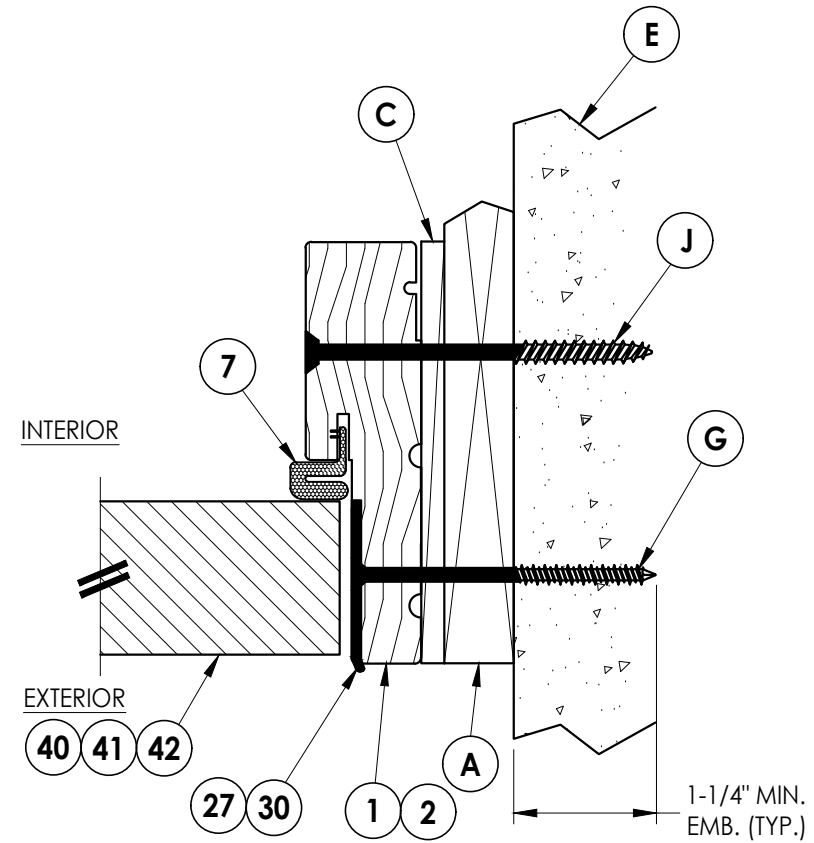
© 2021 R.W. BUILDING CONSULTANTS INC.



1 VERTICAL CROSS SECTION
5 Shown w/ 1X sub-buck
 Outswing shown (Inswing similar)



2 HORIZONTAL CROSS SECTION
5 Shown w/ 1X sub-buck
 Outswing shown (Inswing similar)



3 HORIZONTAL CROSS SECTION
5 Shown w/ 1X sub-buck
 Outswing shown (Inswing similar)

Documents Prepared By:
 Lyndon F. Schmidt
 P.E. No. 43409

RW BUILDING CONSULTANTS, INC.
 P.O. Box 230, Valrico, FL 33595
 Phone No.: 813.659.9197
 FBPE Registry No. 9813

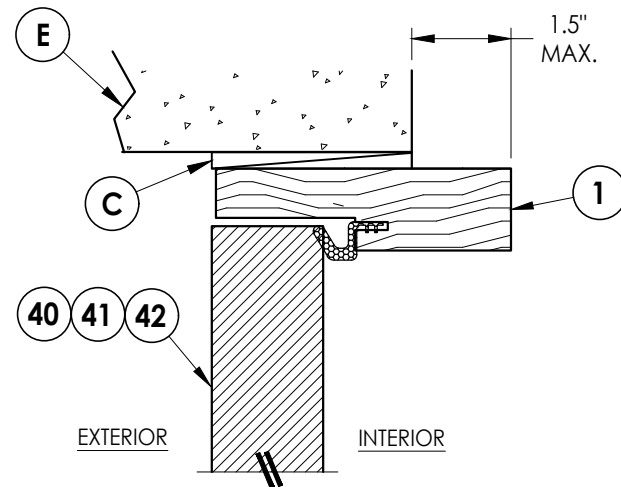
PRODUCT:
 THERMA-TRU
 FIBERGLASS DOOR

PART OR ASSEMBLY:
 HORIZONTAL & VERTICAL
 CROSS SECTIONS (1X BUCK)

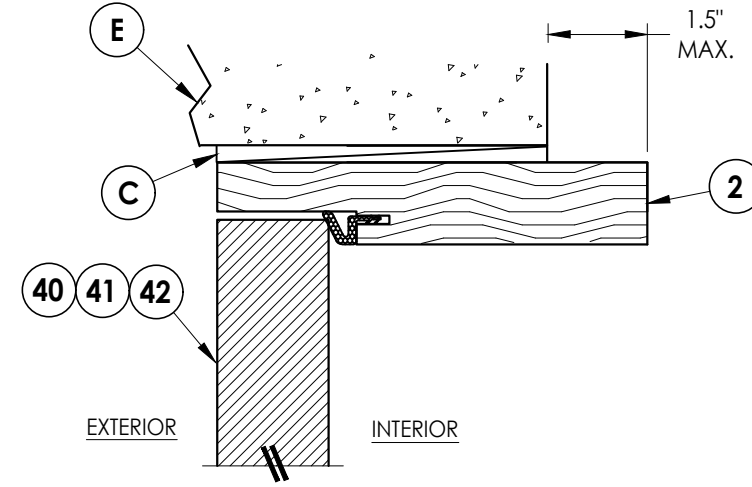
NO.	DATE	BY
1	8/22/23	LFS
	UPDATE TO 8TH ED. (2023)	FBC

REVISIONS

DATE: 4/13/21
 SCALE: N.T.S.
 DWG. BY: RW
 CHK. BY: LFS
 DRAWING NO.: FL-21138.19
 SHEET 5 OF 12

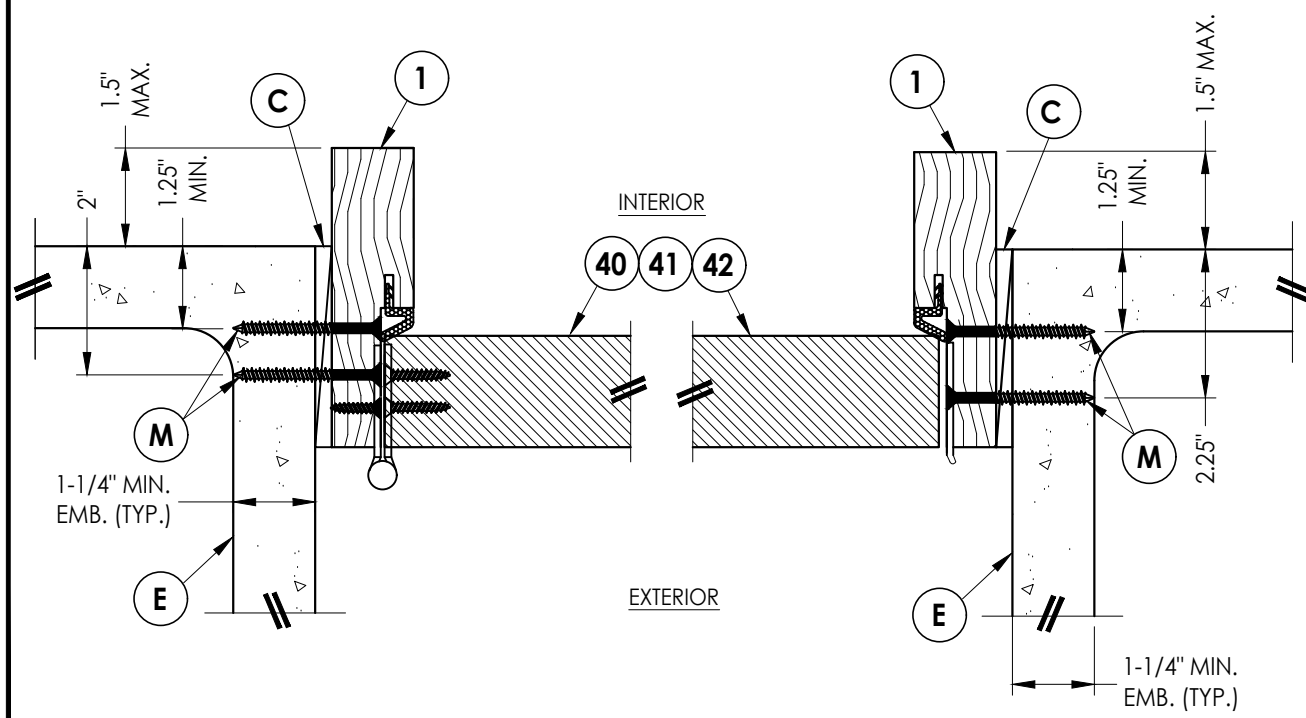


1 **VERTICAL CROSS SECTION**
6 Shown Direct to Masonry
 Outswing only w/ 4-9/16" jamb



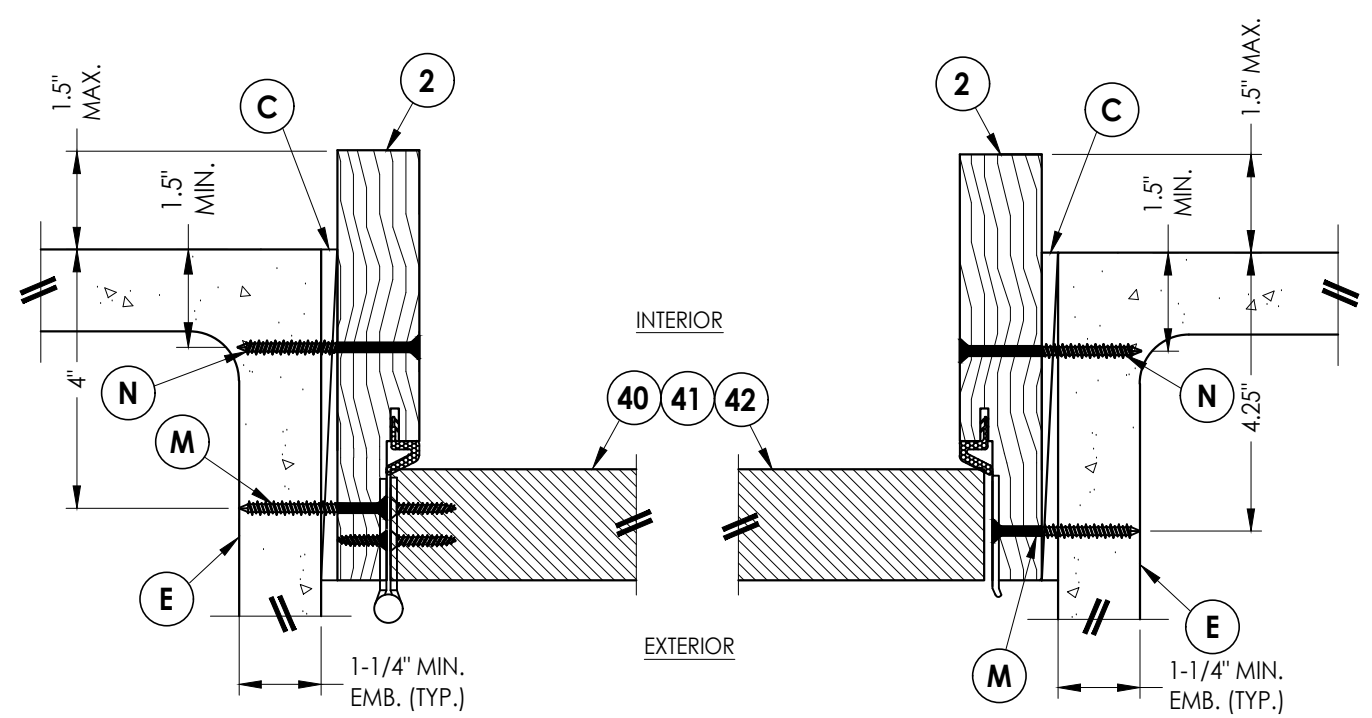
4 **VERTICAL CROSS SECTION**
6 Shown Direct to Masonry
 Outswing only w/ 6-9/16" jamb

DIRECT TO MASONRY MAX. DESIGN PRESSURE:
 ± 55 PSF



2 **HORIZONTAL CROSS SECTION**
6 Shown Direct to Masonry
 Outswing only w/ 4-9/16" jamb

3 **HORIZONTAL CROSS SECTION**
6 Shown Direct to Masonry
 Outswing only w/ 4-9/16" jamb



5 **HORIZONTAL CROSS SECTION**
6 Shown Direct to Masonry
 Outswing only w/ 6-9/16" jamb

6 **HORIZONTAL CROSS SECTION**
6 Shown Direct to Masonry
 Outswing only w/ 6-9/16" jamb

Documents Prepared By:
 Lyndon F. Schmidt
 P.E. No. 43409

RW BUILDING CONSULTANTS, INC.
 P.O. Box 230, Vairico, FL 33595
 Phone No.: 813.659.9197
 FBPE Registry No. 9813

PRODUCT: THERMA-TRU
 FIBERGLASS DOOR

PART OR ASSEMBLY:
 HORIZONTAL & VERTICAL
 SECTIONS (DIRECT TO MASONRY)

NO.	DATE	REVISIONS	LFS	BY
1	8/22/23	UPDATE TO 8TH ED. (2023)	FBC	

DATE: 4/13/21

SCALE: N.T.S.

DWG. BY: RW

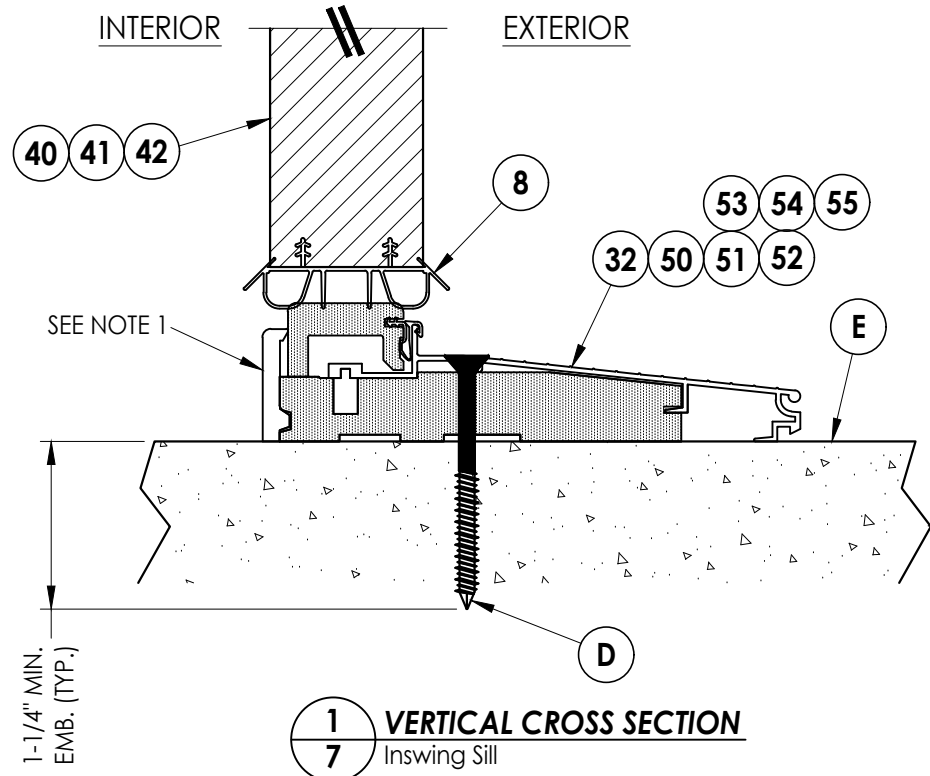
CHK. BY: LFS

DRAWING NO.: FL-21138.19

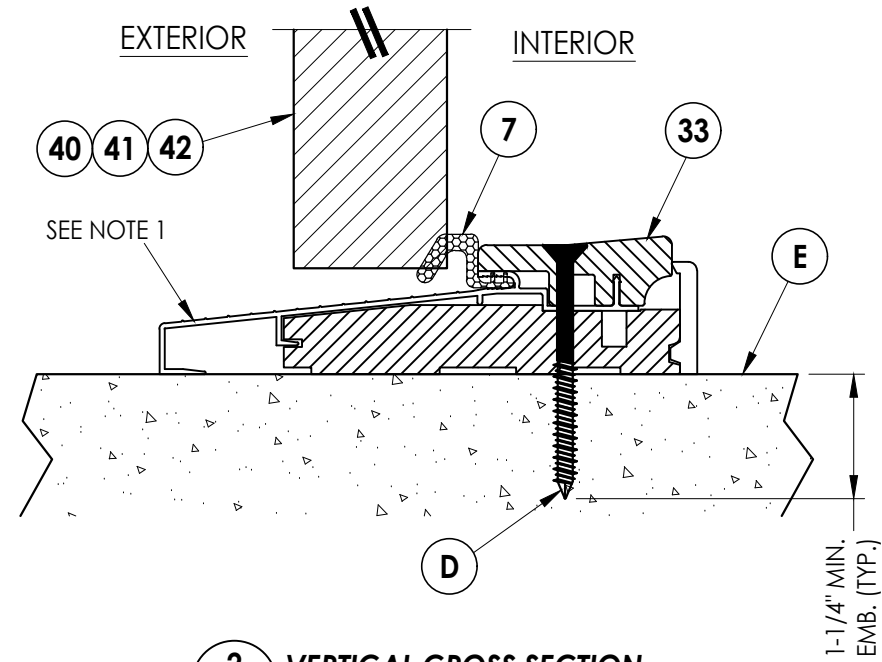
SHEET 6 OF 12

Notes:

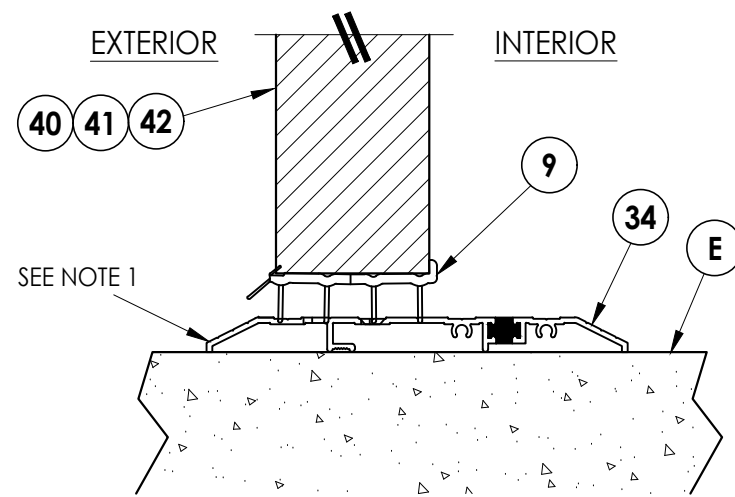
- Sill Item #'s 32, 33, 50, 51, 52, 53, 54 & 55 are attached to jambs w/ (3) #8 X 2-1/2" pph screws at each end.
Sill Item #34 is attached to jambs utilizing (4) #10 X 1-1/2" pph screws at each end.



1 VERTICAL CROSS SECTION
7 Inswing Sill



2 VERTICAL CROSS SECTION
7 Outswing Sill



3 VERTICAL CROSS SECTION
7 Public Access Sill

Documents Prepared By:
Lyndon F. Schmidt
P.E. No. 43409

RW BUILDING CONSULTANTS, INC.
P.O. Box 230, Valrico, FL 33595
Phone No.: 813.659.9197
FBPE Registry No. 9813

PRODUCT:
THERMA-TRU
FIBERGLASS DOOR

PART OR ASSEMBLY:
VERTICAL CROSS
SECTIONS (THRESHOLDS)

NO.	DATE	DESCRIPTION	BY
1	8/22/23	UPDATE TO 8TH ED. (2023)	LFS

REVISIONS

DATE: 4/13/21

SCALE: N.T.S.

DWG. BY: RW

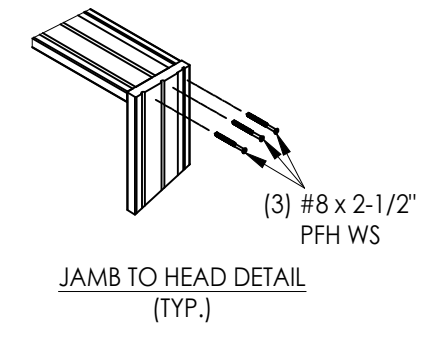
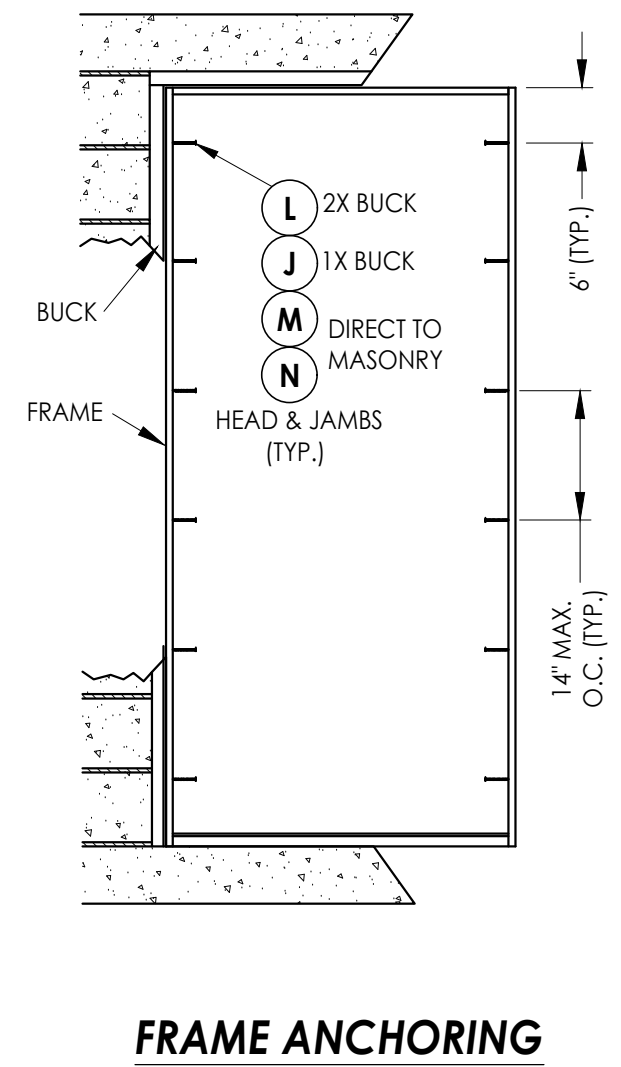
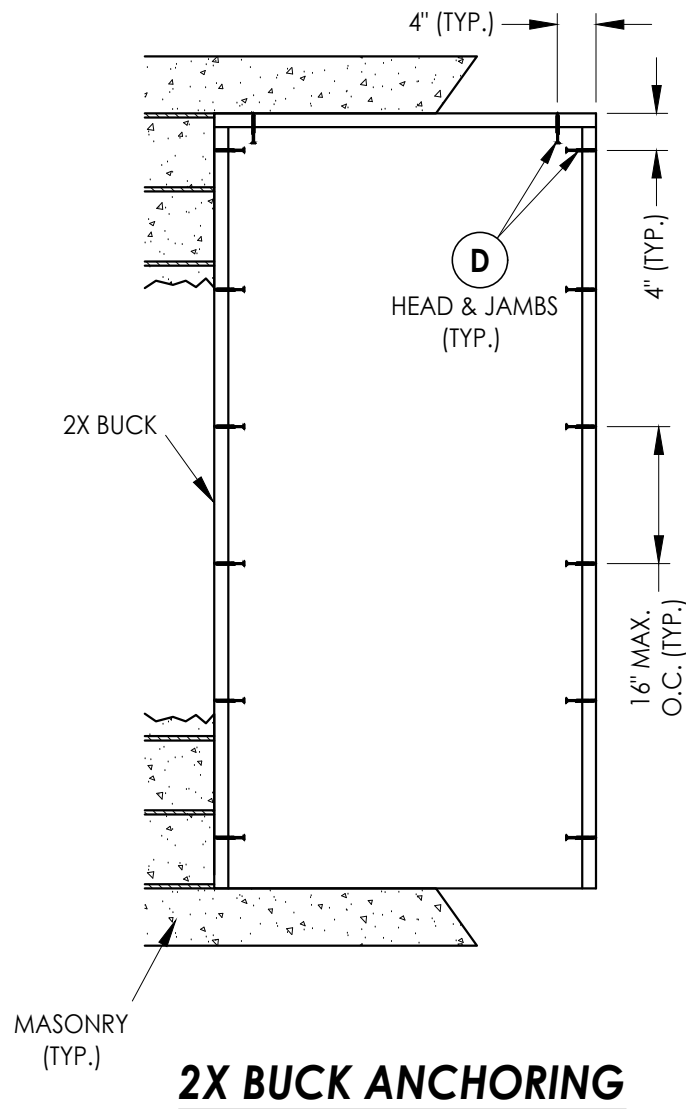
CHK. BY: LFS

DRAWING NO.:

FL-21138.19

SHEET 7 OF 12

Z:\2023 FBC Drawings\Therma-Tru\FL-21138 R7\FL-21138.19-21.dwg



Documents Prepared By:
Lyndon F. Schmidt
P.E. No. 43409

RW BUILDING CONSULTANTS, INC.
P.O. Box 230, Vairico, FL 33595
Phone No.: 813.659.9197
FBPE Registry No. 9813

PRODUCT: THERMA-TRU FIBERGLASS DOOR

PART OR ASSEMBLY: BUCK & FRAME ANCHORING

NO.	DATE	DESCRIPTION	BY
1	8/22/23	UPDATE TO 8TH ED. (2023)	LFS

REVISIONS

DATE: 4/13/21

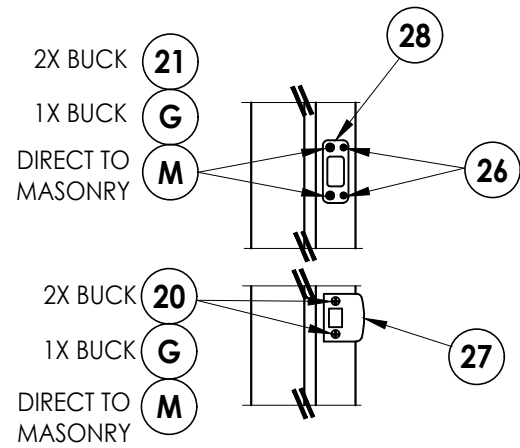
SCALE: N.T.S.

DWG. BY: RW

CHK. BY: LFS

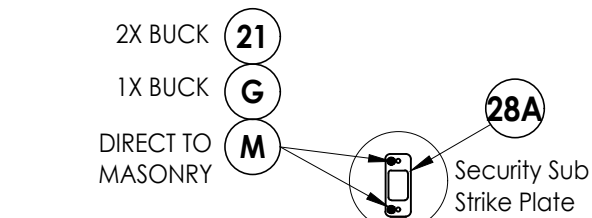
DRAWING NO.: FL-21138.19

SHEET 8 of 12



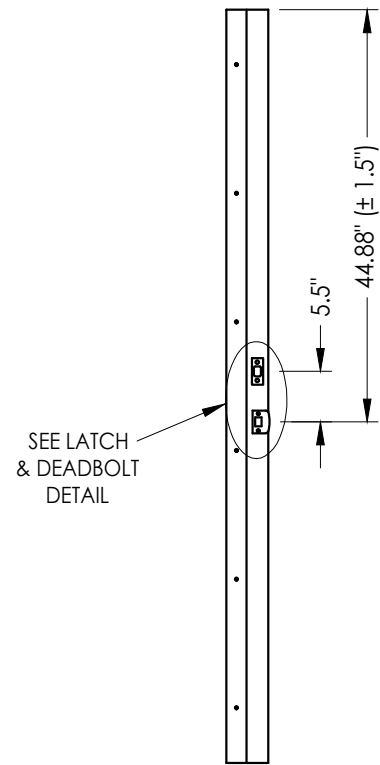
LATCH & DEADBOLT DETAIL

Kwikset



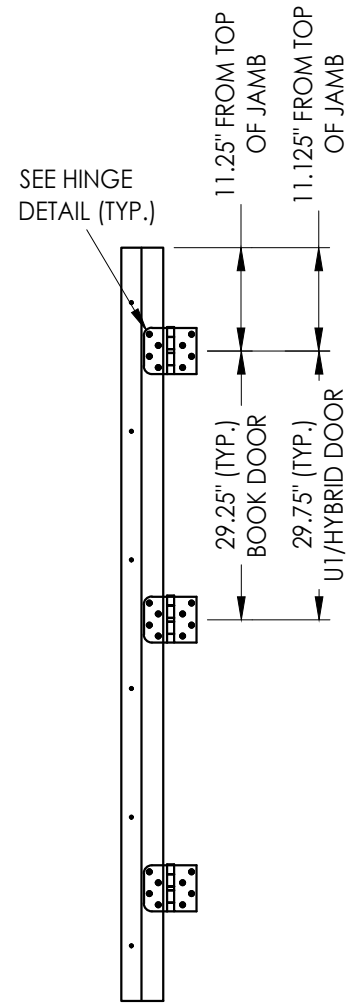
LATCH & DEADBOLT DETAIL

Schlage

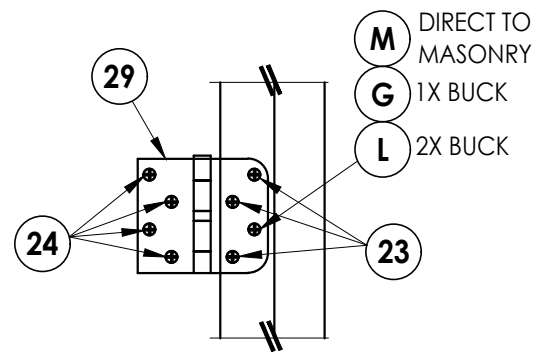


STRIKE JAMB

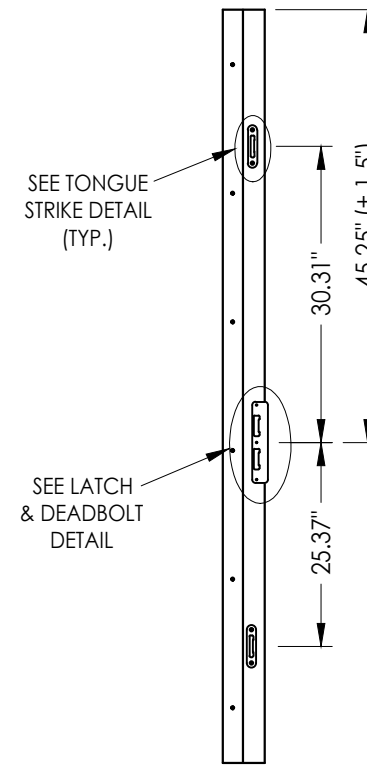
Latch and Deadbolt



HINGE JAMB

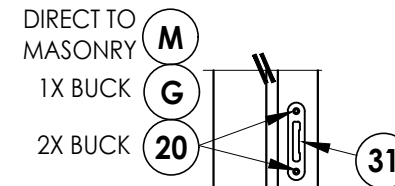


HINGE DETAIL



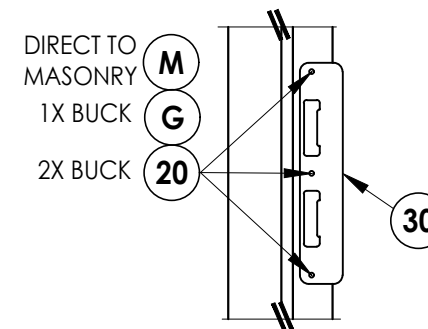
STRIKE JAMB

Multipoint Lock



TONGUE STRIKE DETAIL

Multipoint Lock



LATCH & DEADBOLT DETAIL

Multipoint Lock

LATCH & DEADBOLT STRIKE DETAILS

MULTIPOINT LOCK STRIKE DETAILS

Documents Prepared By:
Lyndon F. Schmidt
P.E. No. 43409

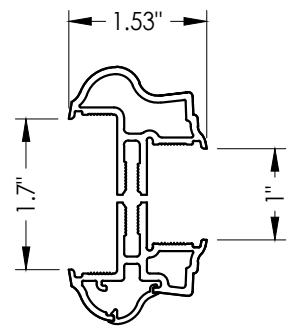
RW BUILDING CONSULTANTS, INC.
P.O. Box 230, Valrico, FL 33595
Phone No.: 813.659.9197
FBPE Registry No. 9813

PRODUCT: THERMA-TRU
FIBERGLASS DOOR

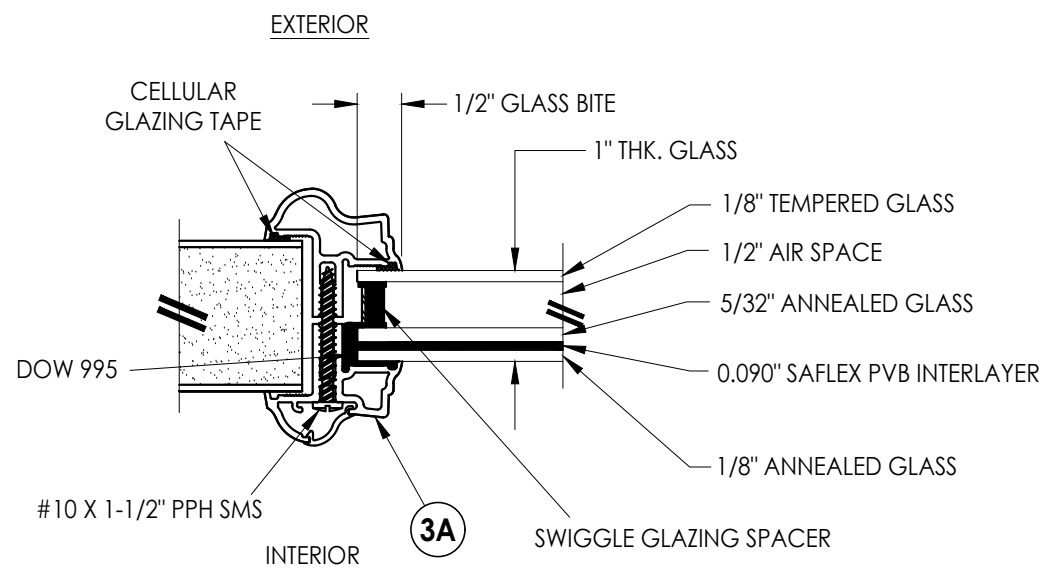
PART OR ASSEMBLY:
HARDWARE DETAILS

NO.	DATE	DESCRIPTION	BY
1	8/22/23	UPDATE TO 8TH ED. (2023) FBC	LFS

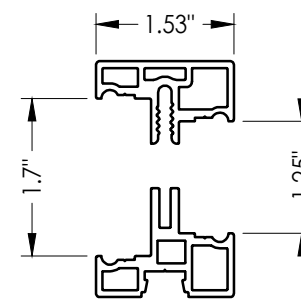
DATE:	4/13/21
SCALE:	N.T.S.
DWG. BY:	RW
CHK. BY:	LFS
DRAWING NO.:	FL-21138.19
SHEET	9 OF 12



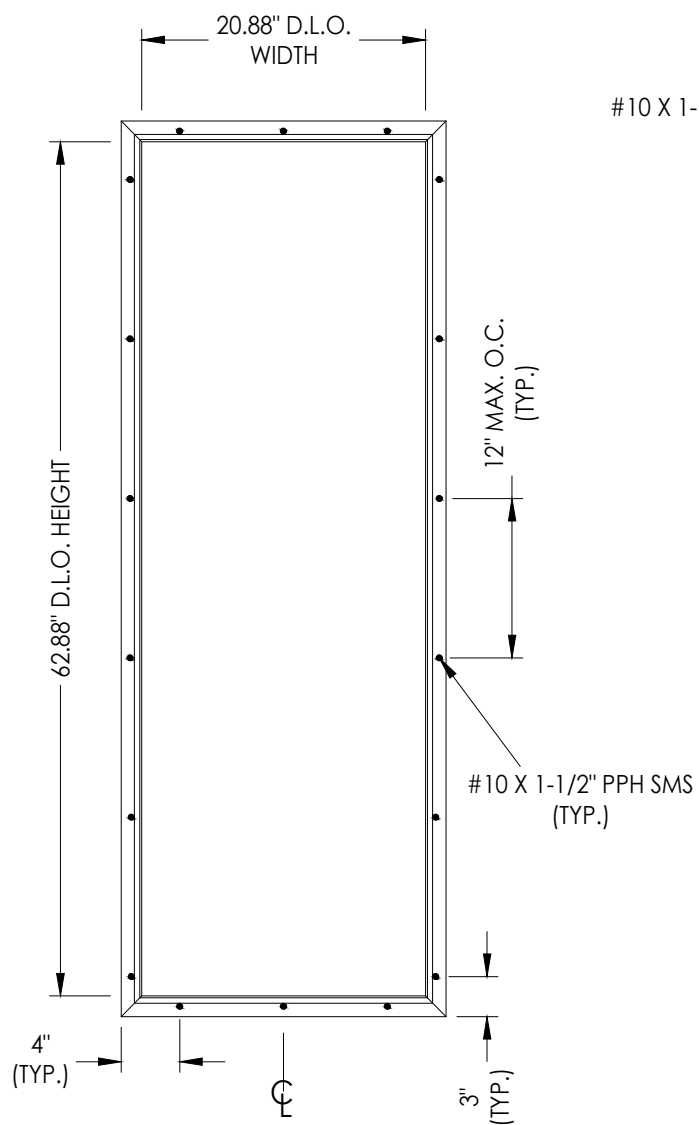
3A ALUMINUM FRAME
Aluminum Impact Lite Frame



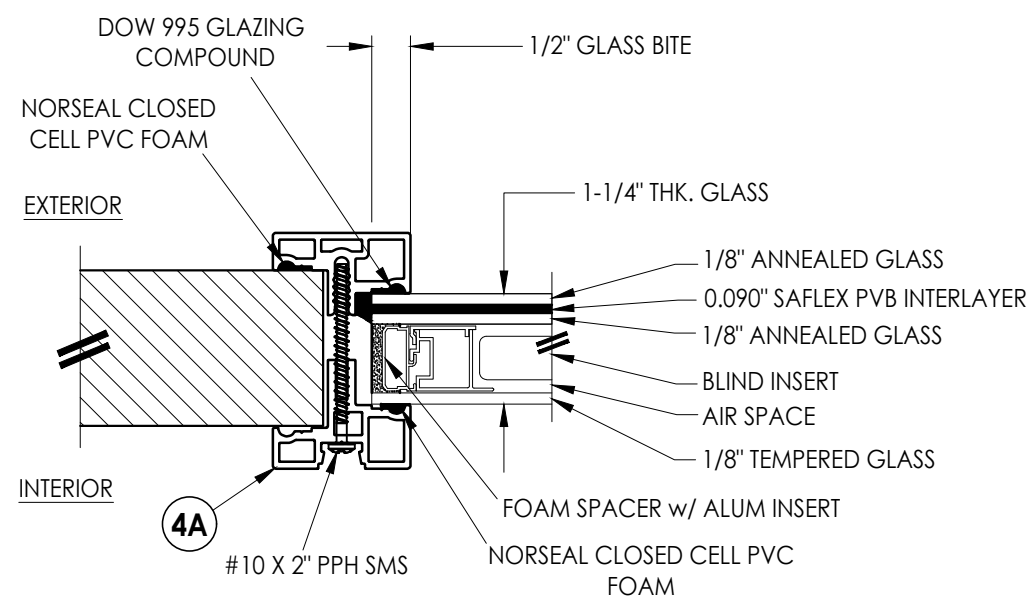
G1 GLAZING DETAIL
Aluminum Impact Lite Frame



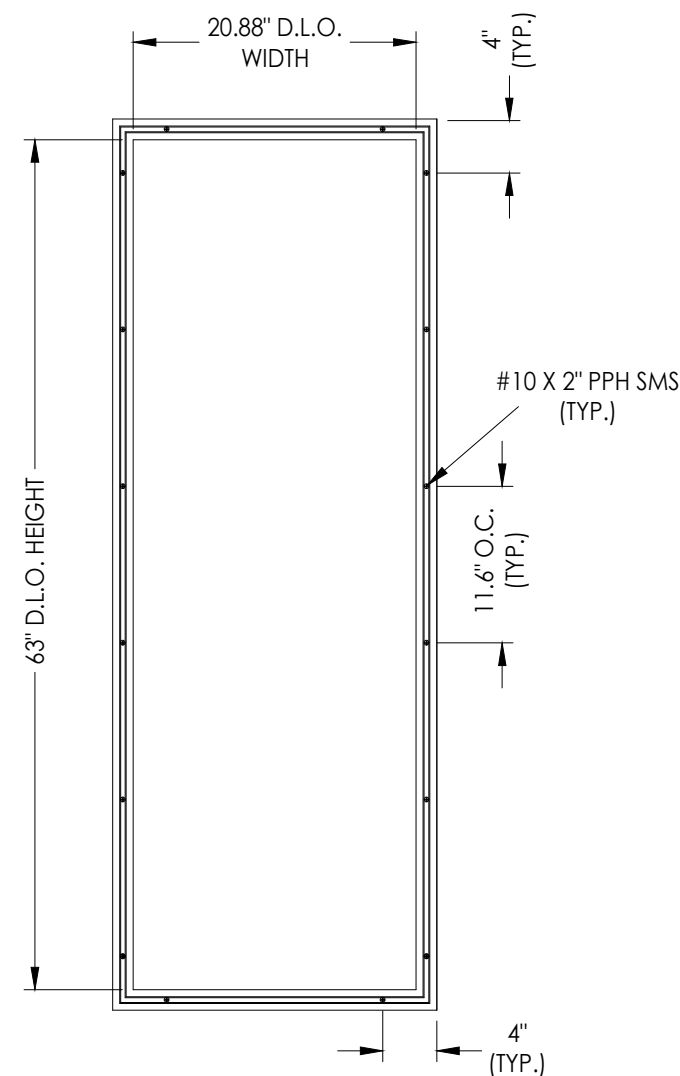
4A ALUMINUM FRAME
Aluminum Impact Lite Frame



3A ALUMINUM LITE FRAME
(w/ 1" Glazing)



G2 GLAZING DETAIL
1-1/4" Insulated Laminated Glass
w/ Internal Blinds



4A ALUMINUM LITE FRAME
(w/ 1-1/4" Glazing)

Documents Prepared By:
Lyndon F. Schmidt
P.E. No. 43409

RW BUILDING CONSULTANTS, INC.
P.O. Box 230, Valrico, FL 33595
Phone No.: 813.659.9197
FBPE Registry No. 9813

PRODUCT:
THERMA-TRU
FIBERGLASS DOOR

PART OR ASSEMBLY:
LITE FRAME
& GLAZING DETAILS

NO.	DATE	BY	REVISIONS
1	8/22/23	LFS	UPDATE TO 8TH ED. (2023) FBC

DATE: 4/13/21

SCALE: N.T.S.

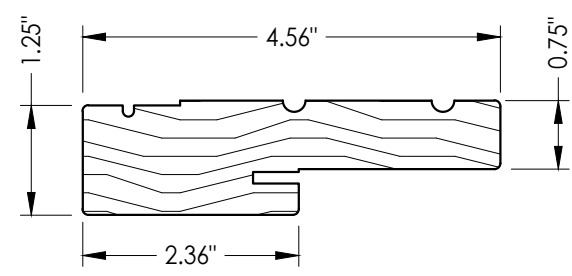
DWG. BY: RW

CHK. BY: LFS

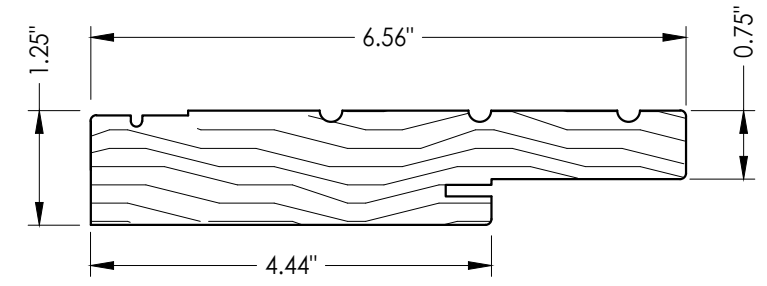
DRAWING NO.:
FL-21138.19

SHEET 10 OF 12

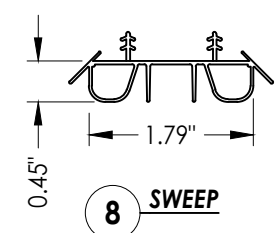
Z:\2023 FBC Drawings\Therma-Tru\FL-21138 R7\FL-21138-19-21.dwg



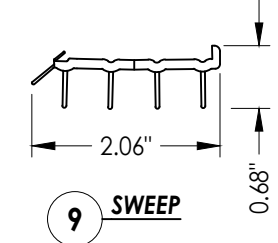
1 JAMB
Composite or Wood



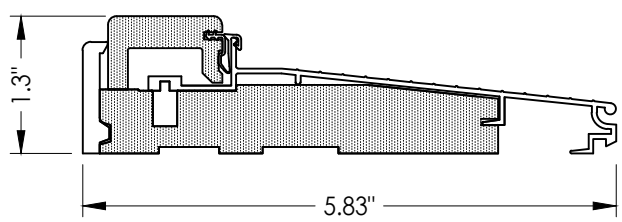
2 JAMB
Composite or Wood



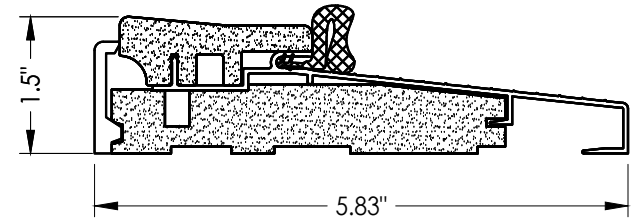
8 SWEEP



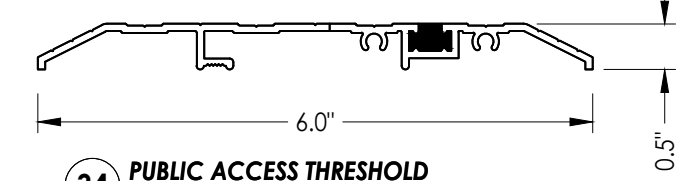
9 SWEEP



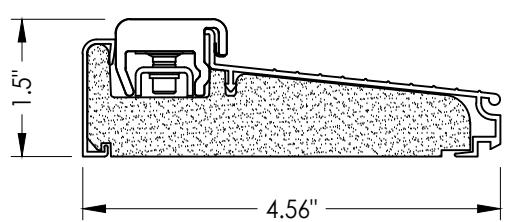
32 INSWING THRESHOLD
Adjustable Composite Sill



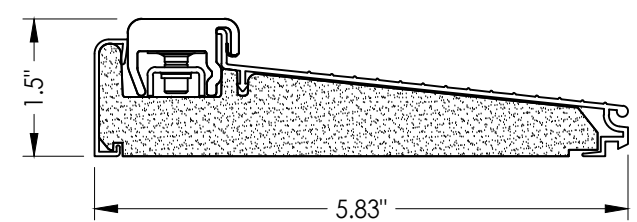
33 OUTSWING THRESHOLD
Composite / Aluminum Sill



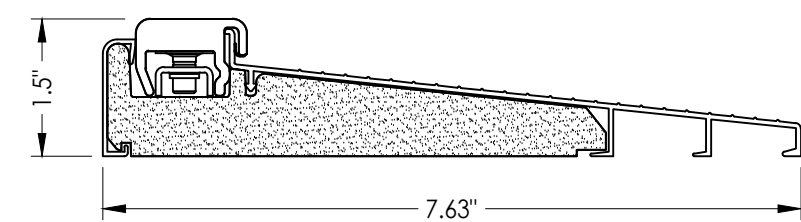
34 PUBLIC ACCESS THRESHOLD



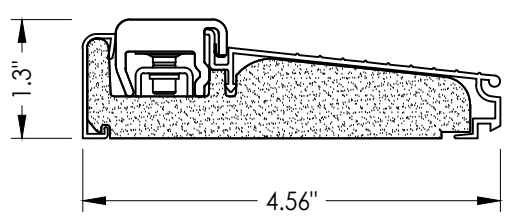
50 INSWING THRESHOLD
Inswing Composite Adjustable Sill Book, Hybrid



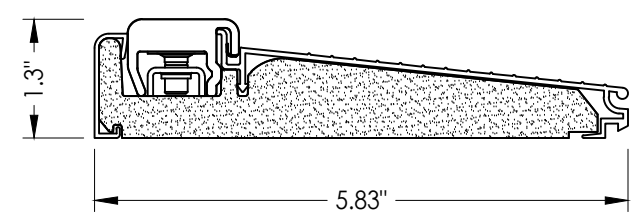
51 INSWING THRESHOLD
Inswing Composite Adjustable Sill Book, Hybrid



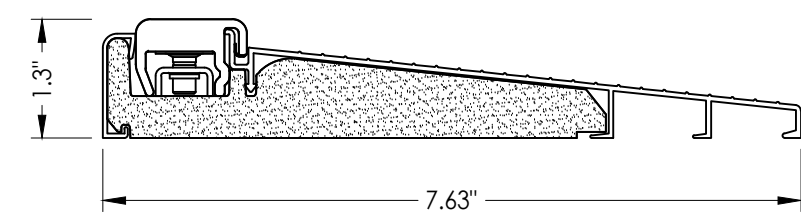
52 INSWING THRESHOLD
Inswing Composite Adjustable Sill Book, Hybrid



53 INSWING THRESHOLD
Inswing Composite Adjustable Sill U1



54 INSWING THRESHOLD
Inswing Composite Adjustable Sill U1



55 INSWING THRESHOLD
Inswing Composite Adjustable Sill U1

Documents Prepared By:
Lyndon F. Schmidt
P.E. No. 43409

RW BUILDING CONSULTANTS, INC.
P.O. Box 230, Valrico, FL 33595
Phone No.: 813.659.9197
FBPE Registry No. 9813

PRODUCT: THERMA-TRU
FIBERGLASS DOOR

PART OR ASSEMBLY:
COMPONENTS

NO.	DATE	REVISIONS	BY
1	8/22/23	UPDATE TO 8TH ED. (2023) FBC	LFS

DATE: 4/13/21
SCALE: N.T.S.
DWG. BY: RW
CHK. BY: LFS
DRAWING NO.: FL-21138.19
SHEET 11 OF 12

BILL OF MATERIALS		
ITEM #	DESCRIPTION	MATERIAL
A	1X BUCK (G >= 0.42)	WOOD
B	2X BUCK (G >= 0.42)	WOOD
C	1/4" MAX. SHIM SPACE	-
D	1/4" X 2-3/4" PFH DeWALT OR ITW CONCRETE SCREW	STEEL
E	MASONRY - 3,000 PSI MIN. CONCRETE CONFORMING TO ACI 301 OR HOLLOW BLOCK CONFORMING TO ASTM C90	CONCRETE
F	#10 X 2" PFH WOOD SCREW	STEEL
G	3/16" X 3-1/4" PFH ITW CONCRETE SCREW	STEEL
I	1/4" X 2-1/4" PFH DeWALT OR ITW CONCRETE SCREW	STEEL
J	1/4" X 3-3/4" PFH DeWALT OR ITW CONCRETE SCREW	STEEL
L	#10 X 2-1/2" PFH WOOD SCREW (1.15" MIN. EMBEDMENT)	STEEL
M	3/16" X 2-1/4" ITW CONCRETE SCREW	STEEL
N	3/16" X 2-3/4" ITW CONCRETE SCREW	STEEL
1	WOOD JAMB (FINGER JOINT PINE or COMPOSITE)	Wood/Comp
2	WOOD JAMB (FINGER JOINT PINE or COMPOSITE)	Wood/Comp
7	WEATHERSTRIP	FOAM
8	DOOR SWEEP	VINYL
9	SWEEP (USE w/ PUBLIC ACCESS THRESHOLD)	VINYL
20	#8 X 2-1/2" PFH WOOD SCREW	STEEL
21	#12 X 2-1/2" PFH WOOD SCREW	STEEL
22	#8 X 3/4" PFH WOOD SCREW	STEEL
23	#9 X 3/4" PFH WOOD SCREW	STEEL
24	#9 X 1" PFH WOOD SCREW	STEEL
26	#8 X 5/8" PFH WOOD SCREW	STEEL
27	LATCH STRIKE PLATE	STEEL
28	DEADBOLT STRIKE PLATE	STEEL
28A	DEADBOLT SUB-STRIKE PLATE	STEEL
29	4" X 4" HINGE	STEEL

BILL OF MATERIALS		
ITEM #	DESCRIPTION	MATERIAL
30	LATCH & DEADBOLT STRIKE PLATE	STEEL
31	MULTIPOINT STRIKE PLATE (TONGUE SYSTEM)	STEEL
32	INSWING THRESHOLD	ALUM/COMP
33	OUTSWING THRESHOLD	ALUM/COMP
34	PUBLIC ACCESS THRESHOLD	ALUM
40	DOOR PANEL (BOOK)	-
41	DOOR PANEL (HYBRID)	-
42	DOOR PANEL (U1)	-
50	INSWING THRESHOLD	ALUM/COMP
51	INSWING THRESHOLD	ALUM/COMP
52	INSWING THRESHOLD	ALUM/COMP
53	INSWING THRESHOLD	ALUM/COMP
54	INSWING THRESHOLD	ALUM/COMP
55	INSWING THRESHOLD	ALUM/COMP

CONCRETE ANCHOR NOTES:

- Concrete anchor locations at the corners may be adjusted to maintain the min. edge distance to mortar joints.
- Concrete anchor locations noted as "MAX. ON CENTER" must be adjusted to maintain the min. edge distance to mortar joints, additional concrete anchors may be required to ensure the "MAX. ON CENTER" dimension are not exceeded.
- Concrete anchor table:

ANCHOR TYPE	ANCHOR SIZE	MIN. EMBEDMENT	MIN. CLEARANCE TO MASONRY EDGE	MIN. CLEARANCE TO ADJACENT ANCHOR
ITW TAPCON [®]	1/4"	1-1/4"	2"	4"
DeWALT ULTRACON ^{®+}	1/4"	1-1/4"	1"	4"
ITW TAPCON [®]	3/16"	1-1/4"	AS SHOWN	1-1/2"

WOOD SCREW INSTALLATION NOTES:

- Maintain a minimum 5/8" edge distance, 1" end distance, & 1" o.c. spacing of wood screws to prevent the splitting of wood.

Documents Prepared By:
 Lyndon F. Schmidt
 P.E. No. 43409

RW BUILDING CONSULTANTS, INC.
 P.O. Box 230, Valrico, FL 33595
 Phone No.: 813.659.9197
 FBPE Registry No. 9813

PRODUCT: THERMA-TRU FIBERGLASS DOOR
PART OR ASSEMBLY: BILL OF MATERIALS

NO.	DATE	REVISIONS
1	8/22/23	UPDATE TO 8TH ED. (2023) FBC

DATE: 4/13/21
SCALE: N.T.S.
DWG. BY: RW
CHK. BY: LFS
DRAWING NO.: FL-21138.19
SHEET 12 **OF** 12

© 2021 R.W. BUILDING CONSULTANTS INC.

Z:\2023 FBC Drawings\Therma-Tru\FL-21138 R7\FL-21138.19-21.dwg